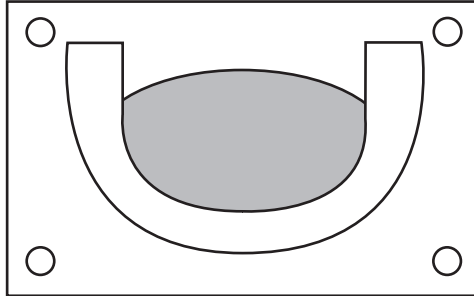


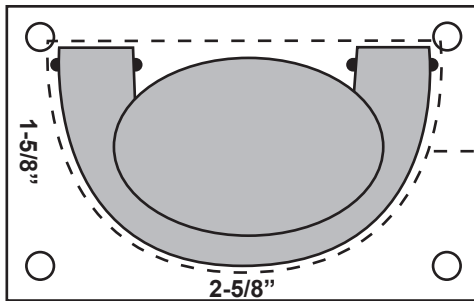
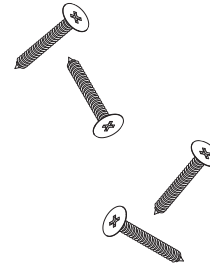


HANDCRAFTED
—HARDWARE—

HBP4010 RECESSED BIN PULL INSTALLATION



Front



Back

1

With a pencil, mark on your drawer where the outside edges of the recessed area is, approximately 2-5/8" x 1-5/8".

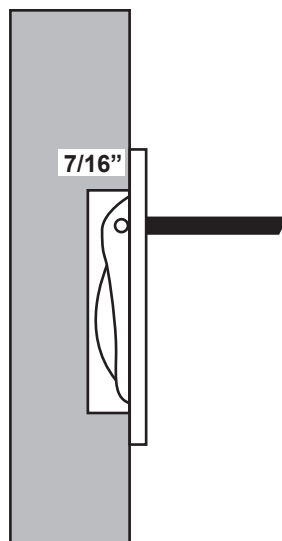
Due to each being handmade, measurements shown may vary slightly.

2

Router/chisel out the area to 7/16" deep and slightly larger than the back surface of the recessed area.

3

Your pull is now ready to be attached using the four included screws.



Side